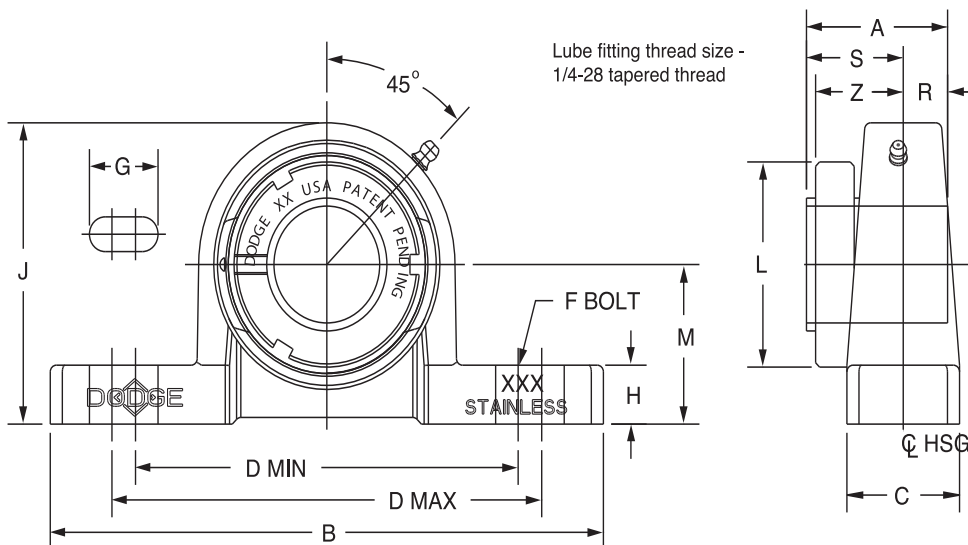
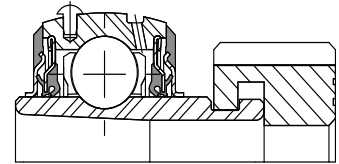


SELECTION/DIMENSIONS

E-Z KLEEN Mounted Bearings GTEZ NORMAL DUTY STAINLESS STEEL HOUSED PILLOW BLOCKS



Series	Shaft Size	Complete Unit		Unit Without Adapter		Adapter & Nut Assembly	
		Part No.	Description	Part No.	Description	Part No.	Description
204	3/4 20mm	129260	P2B-GTEZ-012-SHCR	129559	P2B-GTEZ-04-SHCR	129967	AN-GT-04-012-CR
		129261	P2B-GTEZ-20M-SHCR			129980	AN-GT-04-20M-CR
205	1 25mm	129262	P2B-GTEZ-100-SHCR	129560	P2B-GTEZ-05-SHCR	129968	AN-GT-05-100-CR
		129263	P2B-GTEZ-25M-SHCR			129981	AN-GT-05-25M-CR
206	1-1/8 1-3/16 1-1/4 30mm	064994	P2B-GTEZ-102-SHCR	129561	P2B-GTEZ-06-SHCR	129969	AN-GT-06-102-CR
		129264	P2B-GTEZ-103-SHCR			129970	AN-GT-06-103-CR
		@	P2B-GTEZ-104S-SHCR			129971	AN-GT-06-104-CR
		@	P2B-GTEZ-30M-SHCR			129982	AN-GT-06-30M-CR
206 (GTU)	1-1/8 1-3/16 1-1/4 30mm	@	P2B-GTUEZ-102-SHCR	129566	P2B-GTUEZ-06-SHCR	129969	AN-GT-06-102-CR
		129265	P2B-GTUEZ-103-SHCR			129602	AN-GT-06-103-CR
		129266	P2B-GTUEZ-104S-SHCR			129605	AN-GT-06-104S-CR
		129267	P2B-GTUEZ-30M-SHCR			129612	AN-GT-06-30M-CR
207	1-1/4 1-3/8 1-7/16 35mm	129268	P2B-GTEZ-104-SHCR	129562	P2B-GTEZ-07-SHCR	129972	AN-GT-07-104-CR
		067678	P2B-GTEZ-106-SHCR			129973	AN-GT-07-106-CR
		129269	P2B-GTEZ-107-SHCR			129974	AN-GT-07-107-CR
		129270	P2B-GTEZ-35M-SHCR			129983	AN-GT-07-35M-CR
208	1-1/2 40mm	129271	P2B-GTEZ-108-SHCR	129563	P2B-GTEZ-08-SHCR	129975	AN-GT-08-108-CR
		@	P2B-GTEZ-40M-SHCR			129984	AN-GT-08-40M-CR
208 (GTB)	1-1/2 40mm	129272	P2B-GTBEZ-108-SHCR	129565	P2B-GTBEZ-08-SHCR	129606	AN-GT-08-108-CR
		129273	P2B-GTBEZ-40M-SHCR			129613	AN-GT-08-40M-CR
210	1-15/16 2 50mm	129274	P2B-GTEZ-115-SHCR	129564	P2B-GTEZ-10-SHCR	129978	AN-GT-10-115-CR
		073007	P2B-GTEZ-200-SHCR			129979	AN-GT-10-200-CR
		129275	P2B-GTEZ-50M-SHCR			129986	AN-GT-10-50M-CR

FEATURES/BENEFITS PAGE B2-3	HOW TO ORDER/NOMENCLATURE PAGE B2-8	SELECTION/DIMENSIONS PAGE B2-24	ACCESSORIES PAGE B2-77
--------------------------------	--	------------------------------------	---------------------------

SELECTION/DIMENSIONS



E-Z KLEEN Mounted Bearings GTEZ NORMAL DUTY STAINLESS STEEL HOUSED PILLOW BLOCKS

Bearing Reference Guide

ULTRA KLEEN

E-Z KLEEN

Extreme Duty

Setscrew Ball Bearing

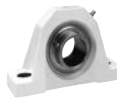
GRIP TIGHT

D-LOK Ball Bearing

Series	Shaft Size	Weight lbs kg	A	B	C	D		F Bolt Dia.	G	H	J	L	M	R#	S#	Z
						min.	max.									
204	3/4	1.46	1.48	5.00	1.00	3.38	4.18	3/8	0.84	0.50	2.50	1.50	1.31	0.46	1.02	1.03
	20mm	0.65	37.6	127.0	25.4	85.9	106.2	M10	21.3	12.7	63.5	38.1	33.3	11.7	25.9	26.2
205	1	1.92	1.46	5.50	1.12	3.68	4.50	3/8	0.85	0.53	2.71	1.80	1.44	0.48	0.98	1.00
	25mm	0.83	37.1	139.7	28.4	93.5	114.3	M10	21.6	13.5	68.8	45.7	36.5	12.2	24.9	25.4
206	1-1/8	2.60	1.61	6.25	1.25	4.26	5.00	1/2	0.93	0.53	3.13	2.08	1.63	0.52	1.09	1.13
	1-3/16															
	1-1/4															
206 (GTU)	30mm	1.18	40.9	158.8	31.8	108.2	127.0	M12	23.6	13.5	79.5	52.8	41.3	13.2	27.7	28.7
	1-1/8	2.65	1.61	6.25	1.25	4.26	5.00	1/2	0.93	0.59	3.19	2.08	1.69	0.52	1.09	1.13
	1-3/16															
207	1-1/4	3.83	1.62	6.50	1.38	4.68	5.44	1/2	0.94	0.56	3.63	2.38	1.88	0.54	1.08	1.14
	1-3/8															
	1-7/16															
208	35mm	1.75	41.1	165.1	35.1	118.9	138.2	M12	23.9	14.2	92.2	60.5	47.6	13.7	27.4	29.0
	40mm	4.90	1.84	7.00	1.50	5.18	6.00	1/2	0.97	0.75	4.00	2.62	2.13	0.61	1.23	1.23
208 (GTB)	40mm	2.22	46.7	177.8	38.1	131.6	152.4	M12	24.6	19.1	101.6	66.5	54.0	15.5	31.2	31.2
	2	4.85	1.84	7.00	1.50	5.18	6.00	1/2	0.97	0.56	3.81	2.62	1.94	0.61	1.23	1.23
210	40mm	2.22	46.7	177.8	38.1	131.6	152.4	M12	24.6	14.2	96.8	66.5	49.2	15.5	31.2	31.2
	50mm	6.14	1.86	8.00	1.63	5.76	6.68	5/8	1.14	0.62	4.31	3.13	2.25	0.63	1.23	1.26
		2.62	47.2	203.2	41.4	146.3	169.7	M16	29.0	15.7	109.5	79.5	57.2	16.0	31.2	32.0

#R & S dimensions will vary slightly depending on true shaft diameter

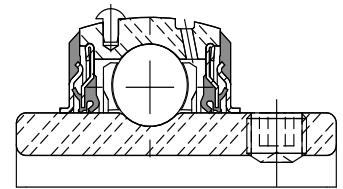
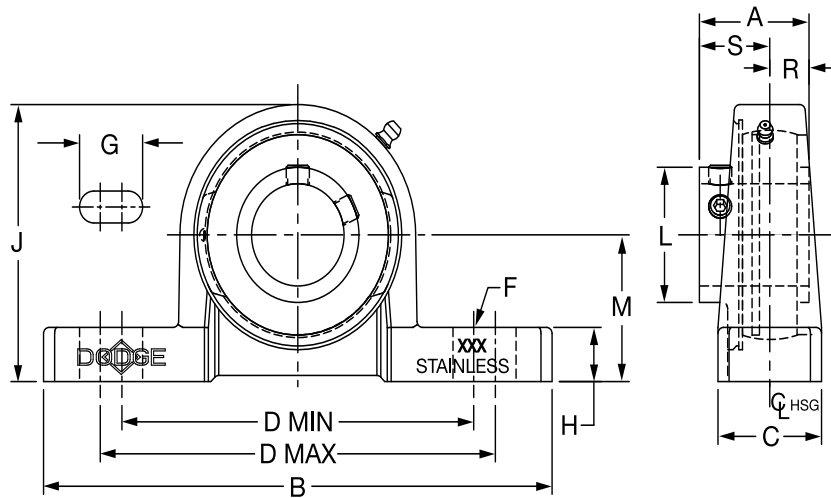
FEATURES/BENEFITS PAGE B2-3	HOW TO ORDER/NOMENCLATURE PAGE B2-8	SELECTION/DIMENSIONS PAGE B2-24	ACCESSORIES PAGE B2-77
--------------------------------	--	------------------------------------	---------------------------



SELECTION/DIMENSIONS

E-Z KLEEN Mounted Bearings

SCEZ NORMAL DUTY STAINLESS STEEL HOUSED PILLOW BLOCKS



Series	Shaft Size	With Corrosion Resistant Insert		Standard Insert with Flingers	
		Part No.	Description	Part No.	Description
204	1/2	074512	P2B-SCEZ-008L-SHCR*	@	P2B-SCEZ-008L-SH
	5/8	068236	P2B-SCEZ-010L-SHCR*	074631	P2B-SCEZ-010L-SH
	3/4	127670	P2B-SCEZ-012-SHCR	059870	P2B-SCEZ-012-SH
	20mm	127697	P2B-SCEZ-20M-SHCR	@	P2B-SCEZ-20M-SH
205	7/8	056553	P2B-SCEZ-014-SHCR*	049996	P2B-SCEZ-014-SH
	15/16	067839	P2B-SCEZ-015-SHCR*	@	P2B-SCEZ-015-SH
	1	127671	P2B-SCEZ-100-SHCR	056796	P2B-SCEZ-100-SH
	25mm	127698	P2B-SCEZ-25M-SHCR	@	P2B-SCEZ-25M-SH
206	1-1/8	@	P2B-SCEZ-102-SHCR*	056548	P2B-SCEZ-102-SH
	1-3/16	127672	P2B-SCEZ-103-SHCR	056797	P2B-SCEZ-103-SH
	1-1/4	127674	P2B-SCEZ-104S-SHCR	067630	P2B-SCEZ-104S-SH
	30mm	@	P2B-SCEZ-30M-SHCR	@	P2B-SCEZ-30M-SH
206 (SCU)	1-1/8	@	P2B-SCUEZ-102-SHCR*	@	P2B-SCUEZ-102-SH
	1-3/16	127673	P2B-SCUEZ-103-SHCR	@	P2B-SCUEZ-103-SH
	1-1/4	127675	P2B-SCUEZ-104S-SHCR	@	P2B-SCUEZ-104S-SH
	30mm	127699	P2B-SCUEZ-30M-SHCR	@	P2B-SCUEZ-30M-SH
207	1-1/4	127676	P2B-SCEZ-104-SHCR	059798	P2B-SCEZ-104-SH
	1-3/8	@	P2B-SCEZ-106-SHCR*	056525	P2B-SCEZ-106-SH
	1-7/16	127677	P2B-SCEZ-107-SHCR	059799	P2B-SCEZ-107-SH
	35mm	127700	P2B-SCEZ-35M-SHCR	@	P2B-SCEZ-35M-SH
208	1-1/2	127678	P2B-SCEZ-108-SHCR	056565	P2B-SCEZ-108-SH
	1-5/8	@	P2B-SCEZ-110-SHCR*	062874	P2B-SCEZ-110-SH
	40mm	@	P2B-SCEZ-40M-SHCR	@	P2B-SCEZ-40M-SH
208 (SCB)	1-1/2	127679	P2B-SCBEZ-108-SHCR	@	P2B-SCBEZ-108-SH
	40mm	127701	P2B-SCBEZ-40M-SHCR	@	P2B-SCBEZ-40M-SH
210	1-11/16	@	P2B-SCMEZ-111-SHCR	@	P2B-SCMEZ-111-SH
	1-15/16	127680	P2B-SCEZ-115-SHCR	056800	P2B-SCEZ-115-SH
	2	064306	P2B-SCEZ-200-SHCR	062879	P2B-SCEZ-200-SH
	50mm	127702	P2B-SCEZ-50M-SHCR	@	P2B-SCEZ-50M-SH

@ Assembled to order

* 20 piece minimum

FEATURES/BENEFITS PAGE B2-3	HOW TO ORDER/NOMENCLATURE PAGE B2-8	SELECTION/DIMENSIONS PAGE B2-24	ACCESSORIES PAGE B2-77
--------------------------------	--	------------------------------------	---------------------------

SELECTION/DIMENSIONS



E-Z KLEEN Mounted Bearings SCEZ NORMAL DUTY STAINLESS STEEL HOUSED PILLOW BLOCKS

Bearing Reference Guide

ULTRA KLEEN

E-Z KLEEN

Extreme Duty

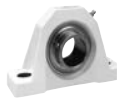
Setscrew Ball Bearing

GRIP TIGHT

D-LOK Ball Bearing

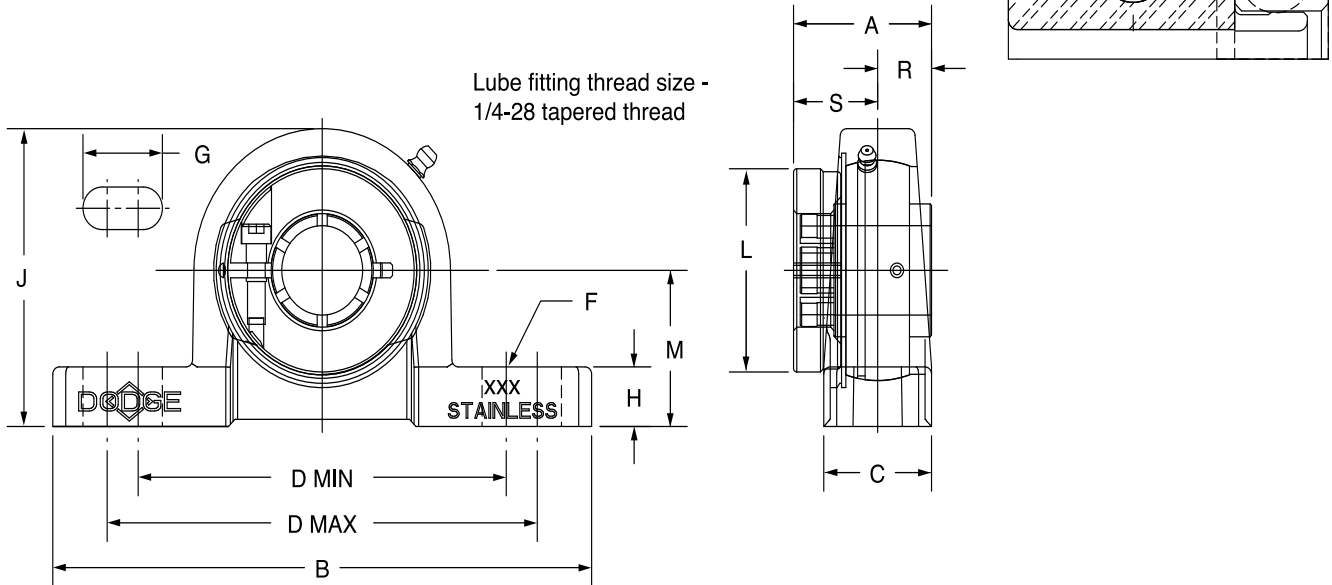
Series	Shaft Size	Weight lbs kg	A	B	C	D		F Bolt Dia.	G	H	J	L	M	R	S
						min.	max.								
204	1/2	1.39	1.23	5.00	1.00	3.38	4.18	3/8	0.84	0.50	2.50	1.12	1.31	0.50	0.73
	5/8	1.35													
	3/4	1.31													
	20mm	0.59	31.2	127.0	25.4	85.9	106.2	M10	21.3	12.7	63.5	28.4	33.3	12.7	18.5
205	7/8	1.65	1.34	5.50	1.12	3.68	4.50	3/8	0.85	0.53	2.71	1.32	1.44	0.56	0.78
	15/16	1.62													
	1	1.59													
	25mm	0.73	34.0	139.7	28.4	93.5	114.3	M10	21.6	13.5	68.8	33.5	36.5	14.2	19.8
206	1-1/8	2.37	1.52	6.25	1.25	4.26	5.00	1/2	0.93	0.53	3.13	1.57	1.63	0.58	0.94
	1-3/16	2.33													
	1-1/4	2.29													
	30mm	1.06	38.6	158.8	31.8	108.2	127.0	M12	23.6	13.5	79.5	39.9	41.3	14.7	23.9
206 (SCU)	1-1/8	2.48	1.52	6.25	1.25	4.26	5.00	1/2	0.93	0.59	3.19	1.57	1.69	0.58	0.94
	1-3/16	2.44													
	1-1/4	2.39													
	30mm	1.11	38.6	158.8	31.8	108.2	127.0	M12	23.6	15.0	81.0	39.9	42.9	14.7	23.9
207	1-1/4	3.36	1.71	6.50	1.38	4.68	5.44	1/2	0.94	0.56	3.63	1.84	1.88	0.67	1.04
	1-3/8	3.25													
	1-7/16	3.19													
	35mm	1.47	43.4	165.1	35.1	118.9	138.2	M12	23.9	14.2	92.2	46.7	47.6	17.0	26.4
208	1-1/2	4.39	1.94	7.00	1.50	5.18	6.00	1/2	0.97	0.75	4.00	2.05	2.13	0.75	1.19
	1-5/8														
	40mm	1.95	49.3	177.8	38.1	131.6	152.4	M12	24.6	19.1	101.6	52.1	54.0	19.1	30.2
208 (SCB)	1-1/2	3.93	1.94	7.00	1.50	5.18	6.00	1/2	0.97	0.56	3.81	2.05	1.94	0.75	1.19
	40mm	1.74	49.3	177.8	38.1	131.6	152.4	M12	24.6	14.2	96.8	52.1	49.2	19.1	30.2
210	1-11/16	5.14	1.94	8.00	1.63	5.76	6.68	5/8	1.14	0.62	4.31	2.43	2.25	0.75	1.19
	1-15/16	5.09													
	2														
	50mm	2.29	49.3	203.2	41.4	146.3	169.7	M16	29.0	15.7	109.5	61.7	57.2	19.1	30.2

FEATURES/BENEFITS PAGE B2-3	HOW TO ORDER/NOMENCLATURE PAGE B2-8	SELECTION/DIMENSIONS PAGE B2-24	ACCESSORIES PAGE B2-77
--------------------------------	--	------------------------------------	---------------------------



SELECTION/DIMENSIONS

E-Z KLEEN Mounted Bearings DLEZ NORMAL DUTY STAINLESS STEEL HOUSED PILLOW BLOCKS



Series	Shaft Size	Part No.	Description	Weight lgs kg	A	B	C	D		F Bolt Dia.	G	H	J	L	M	R	S
								min.	max.								
204	3/4	127715	P2B-DLEZ-012-SHCR	1.46	1.28	5.00	1.00	3.38	4.18	3/8	0.84	0.50	2.50	1.71	1.31	0.50	0.78
	20mm	127739	P2B-DLEZ-20M-SHCR	0.65	32.5	127.0	25.4	85.9	106.2	M10	21.3	12.7	63.5	43.4	33.3	12.7	19.8
205	7/8	@	P2B-DLEZ-014-SHCR*	1.92	1.44	5.50	1.12	3.68	4.50	3/8	0.85	0.53	2.71	1.99	1.44	0.56	0.88
	15/16	@	P2B-DLEZ-015-SHCR*	1.87													
	1	127716	P2B-DLEZ-100-SHCR	1.82													
	25mm	127740	P2B-DLEZ-25M-SHCR	0.83	36.6	139.7	28.4	93.5	114.3	M10	21.6	13.5	68.8	50.5	36.5	14.2	22.4
206	1-1/8	@	P2B-DLEZ-102-SHCR*	2.60	1.56	6.25	1.25	4.26	5.00	1/2	0.93	0.53	3.13	2.22	1.63	0.58	0.98
	1-3/16	127717	P2B-DLEZ-103-SHCR	2.55													
	1-1/4	127718	P2B-DLEZ-104S-SHCR	2.50													
	30mm	127741	P2B-DLEZ-30M-SHCR	1.18	39.6	158.8	31.8	108.2	127.0	M12	23.6	13.5	79.5	56.4	41.3	14.7	24.9
206 (DLU)	1-1/8	@	P2B-DLUEZ-102-SHCR*	2.65	1.56	6.25	1.25	4.26	5.00	1/2	0.93	0.59	3.19	2.22	1.69	0.58	0.98
	1-3/16	068234	P2B-DLUEZ-103-SHCR	2.60													
	1-1/4	@	P2B-DLUEZ-104S-SHCR	2.55													
	30mm	@	P2B-DLUEZ-30M-SHCR	1.18	39.6	158.8	31.8	108.2	127.0	M12	23.6	15.0	81.0	56.4	42.9	14.7	24.9
207	1-1/4	127719	P2B-DLEZ-104-SHCR	3.83	1.75	6.50	1.38	4.68	5.44	1/2	0.94	0.56	3.63	2.69	1.88	0.67	1.08
	1-3/8	@	P2B-DLEZ-106-SHCR*	3.74													
	1-7/16	127720	P2B-DLEZ-107-SHCR	3.66													
	35mm	127742	P2B-DLEZ-35M-SHCR	1.75	44.5	165.1	35.1	118.9	138.2	M12	23.9	14.2	92.2	68.3	47.6	17.0	27.4
208	1-1/2	127721	P2B-DLEZ-108-SHCR	4.90	2.01	7.00	1.50	5.18	6.00	1/2	0.97	0.75	4.00	2.74	2.13	0.75	1.26
	40mm	127743	P2B-DLEZ-40M-SHCR	2.22	51.1	177.8	38.1	131.6	152.4	M12	24.6	19.1	101.6	69.6	54.0	19.1	32.0
208 (DLB)	1-1/2	049469	P2B-DLBEZ-108-SHCR	4.85	2.01	7.00	1.50	5.18	6.00	1/2	0.97	0.56	3.81	2.74	1.94	0.75	1.26
	40mm	@	P2B-DLBEZ-40M-SHCR	2.22	51.1	177.8	38.1	131.6	152.4	M12	24.6	14.2	96.8	69.6	49.2	19.1	32.0
210	1-11/16	@	P2B-DLMEZ-111-SHCR*	6.14	2.01	8.00	1.63	5.76	6.68	5/8	1.14	0.62	4.31	3.24	2.25	0.75	1.26
	1-15/16	127722	P2B-DLEZ-115-SHCR	5.77													
	50mm	127744	P2B-DLEZ-50M-SHCR	2.62	51.1	203.2	41.4	146.3	169.7	M16	29.0	15.7	109.5	82.3	57.2	19.1	32.0

@ Assembled to order
20 piece minimum

FEATURES/BENEFITS PAGE B2-3	HOW TO ORDER/NOMENCLATURE PAGE B2-8	SELECTION/DIMENSIONS PAGE B2-24	ACCESSORIES PAGE B2-77
--------------------------------	--	------------------------------------	---------------------------